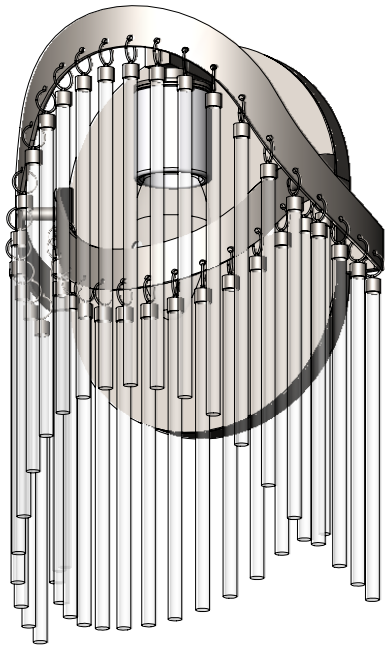


Santangelo

—Lighting & Design—

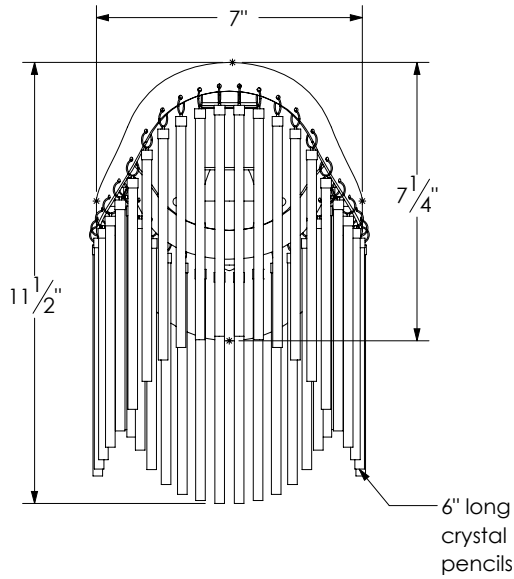
ISOMETRIC VIEW



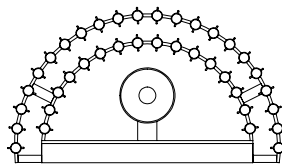
Collection 7 Sconce SC

WEIGHT:	3 lbs
BACKPLATE:	Custom
CHAIN:	N/A
SHADE:	N/A
LENS:	N/A
LIGHT NO.:	1
BASE:	Medium (Simple porcelain)
FINISH:	Guajuye Silver (Same as O'Hara CH)
ENGINEERED:	Dalia de la Torre 12/11/2020

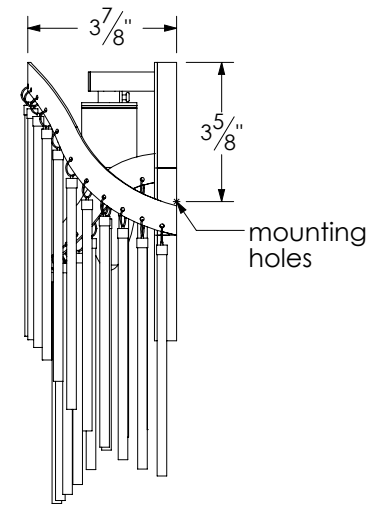
FRONT VIEW



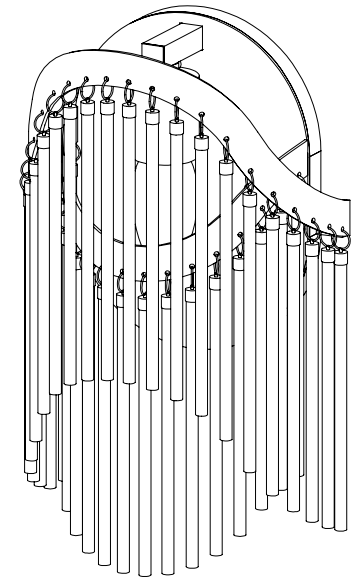
BOTTOM VIEW



SIDE VIEW



MOUNTING DETAIL



ISOMETRIC VIEW

