

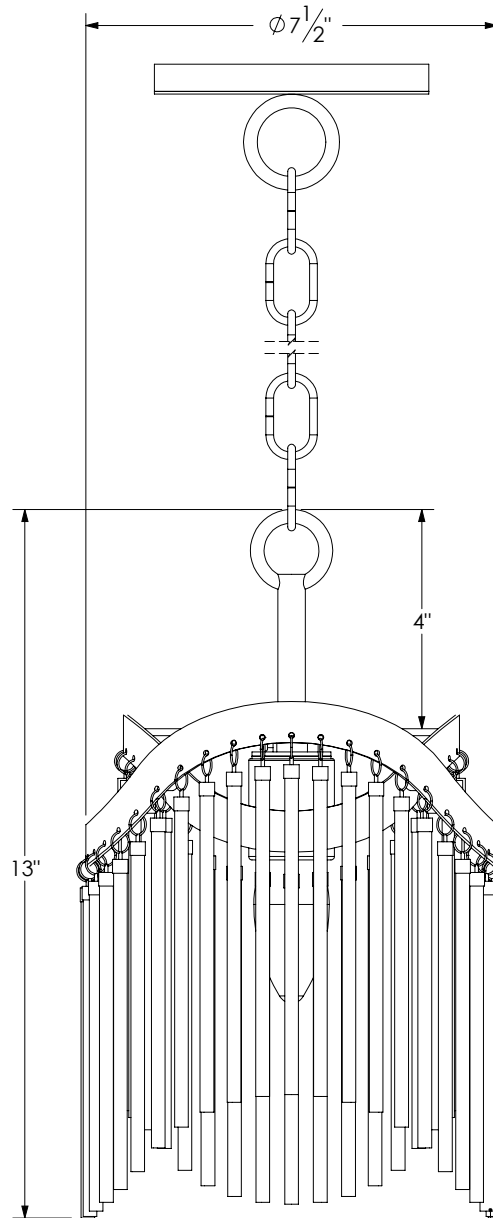
ISOMETRIC VIEW



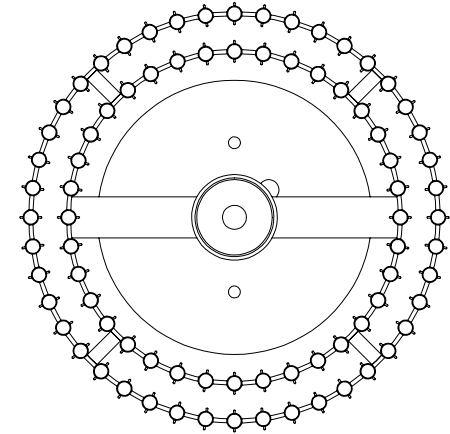
Collection 7 Pendant

WEIGHT:	4 lbs
CANOPY:	Loop
CHAIN:	Loop 8
SHADE:	N/A
LENS:	N/A
LIGHT NO:	1
BASE:	Medium (Ground Porcelain)
FINISH:	Guajuye Silver (Same as O'Hara CH)
ENGINEERED:	Dalia de la Torre 10/11/2020

FRONT VIEW



BOTTOM VIEW



6" tall
crystal
pencils

ISOMETRIC VIEW

