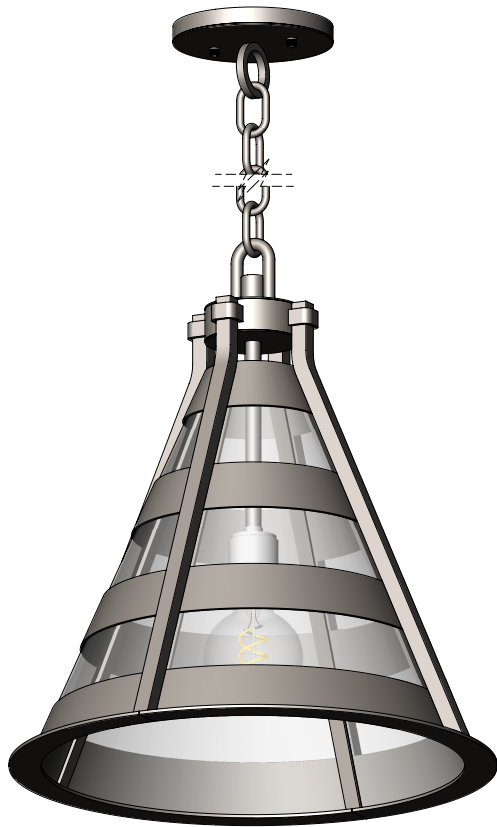


ISOMETRIC VIEW

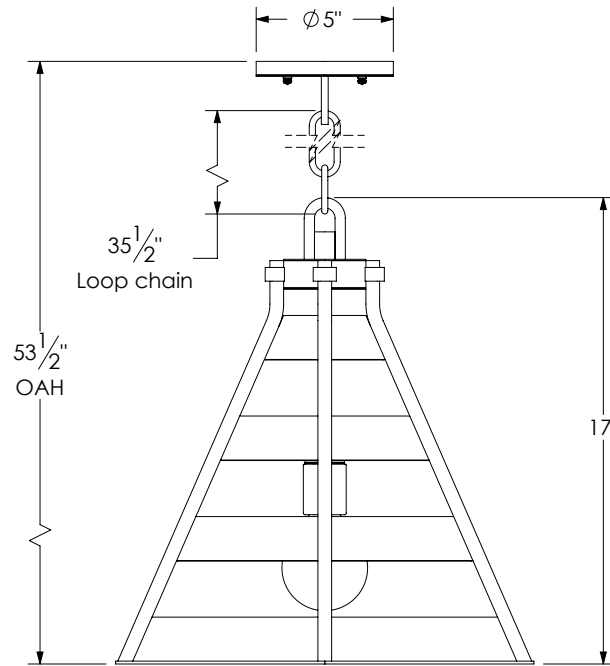


**Magnus Iron PN**  
 Custom Pendant

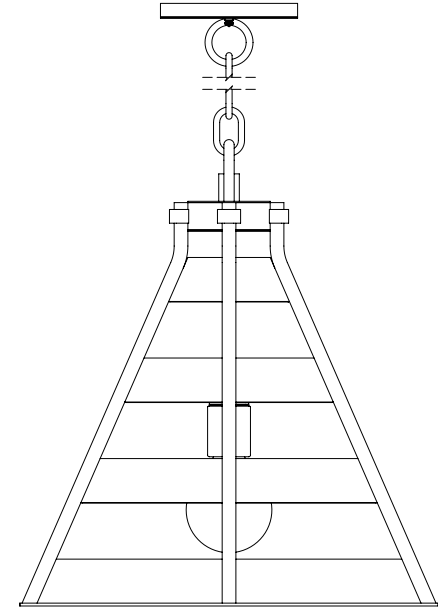
|                    |                           |
|--------------------|---------------------------|
| <b>WEIGHT:</b>     | 17 lbs                    |
| <b>CANOPY:</b>     | Loop                      |
| <b>CHAIN:</b>      | Loop 4                    |
| <b>SHADE:</b>      | Wire Mesh                 |
| <b>LENS:</b>       | N/A                       |
| <b>NO. LIGHTS:</b> | 1                         |
| <b>BASE:</b>       | Medium (Ground Porcelain) |
| <b>FINISH:</b>     | Natural Black             |
| <b>ENGINEERED:</b> | Ever Roa                  |

19/01/2021

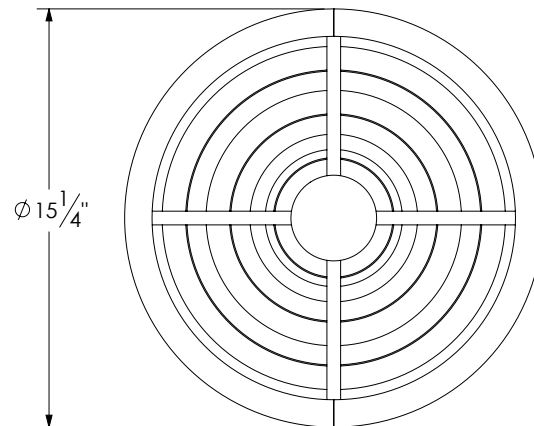
FRONT VIEW



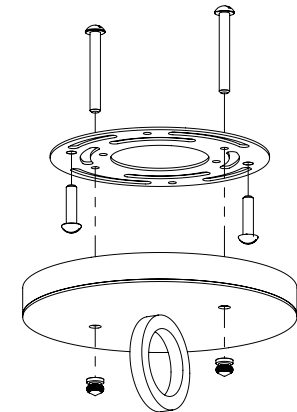
SIDE VIEW



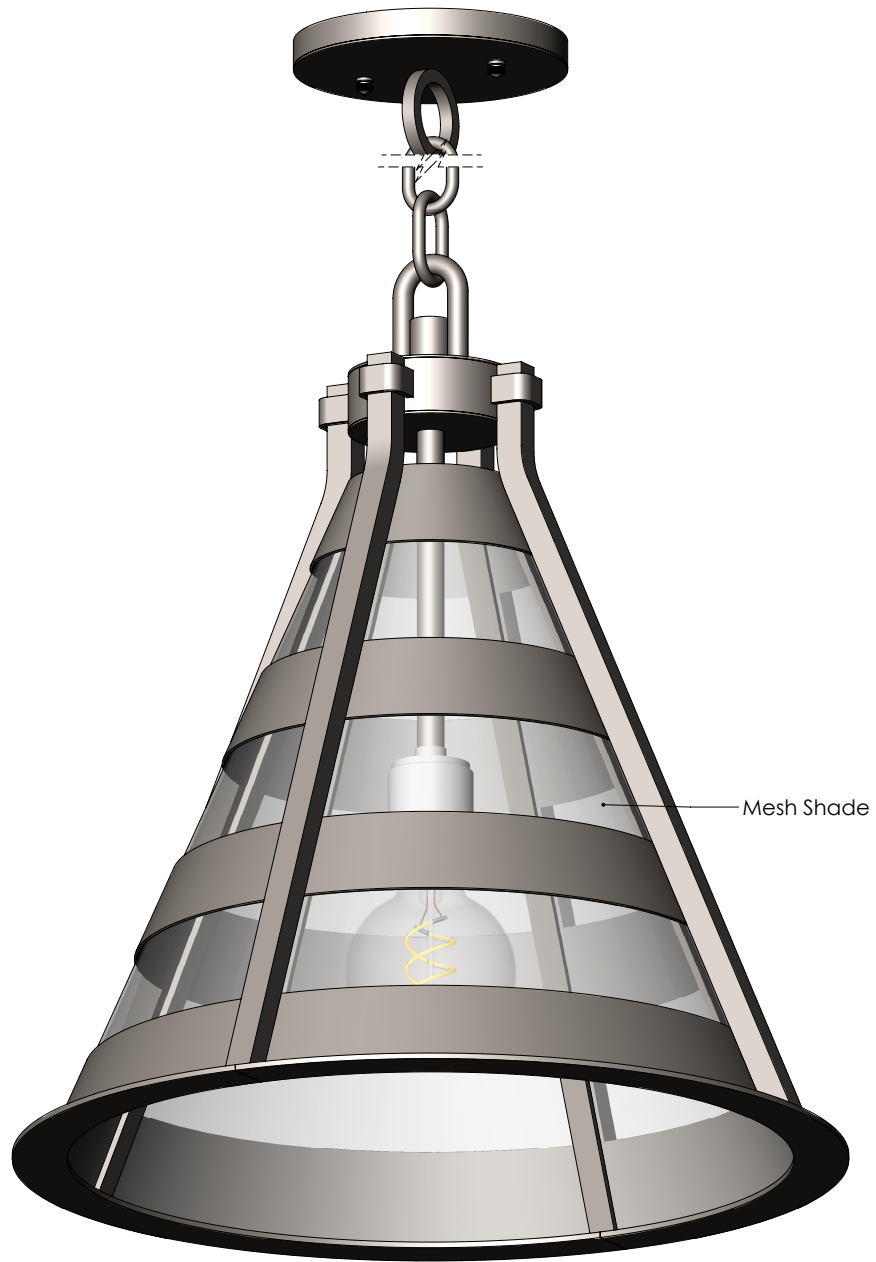
BOTTOM VIEW



MOUNTING DETAIL



ISOMETRIC VIEW



Magnus Iron PN A