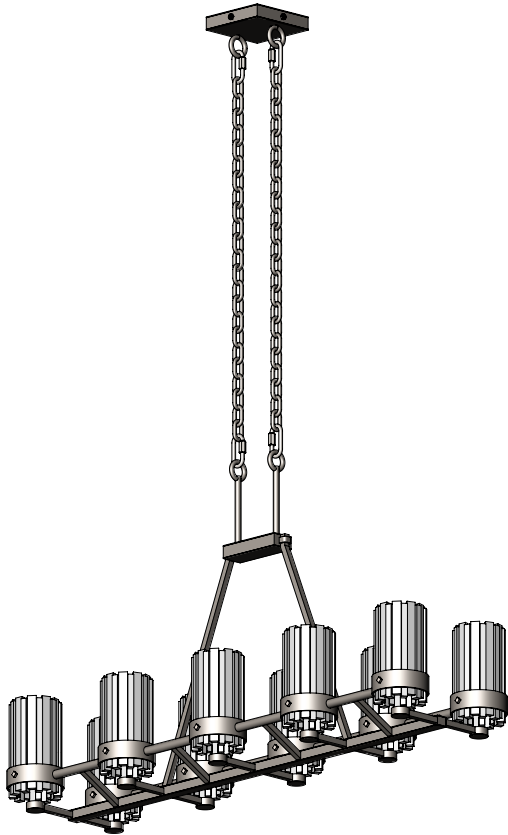


ISOMETRIC VIEW

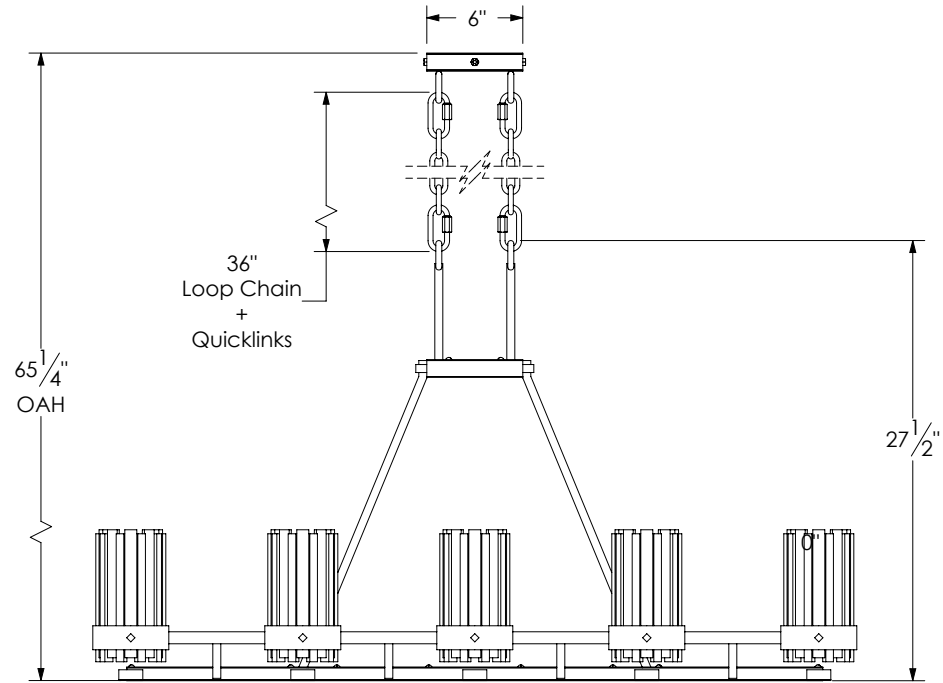


Magnus Rectangle CH
Custom Chandelier

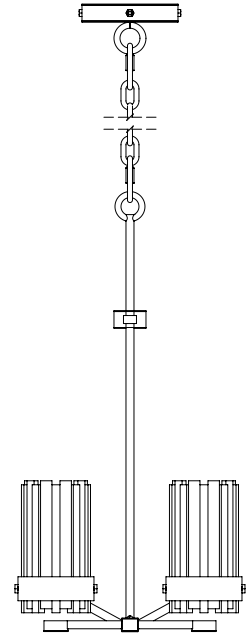
WEIGHT: 74 lbs
CANOPY: Custom
CHAIN: Loop 5/16"
SHADE: White onyx
LENS: N/A
NO. LIGHTS: 10
BASE: G4
FINISH: Natural Black
ENGINEERED: Ever Roa

19/01/2021

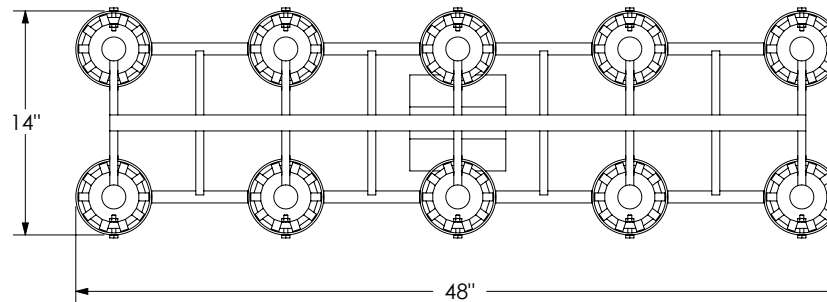
FRONT VIEW



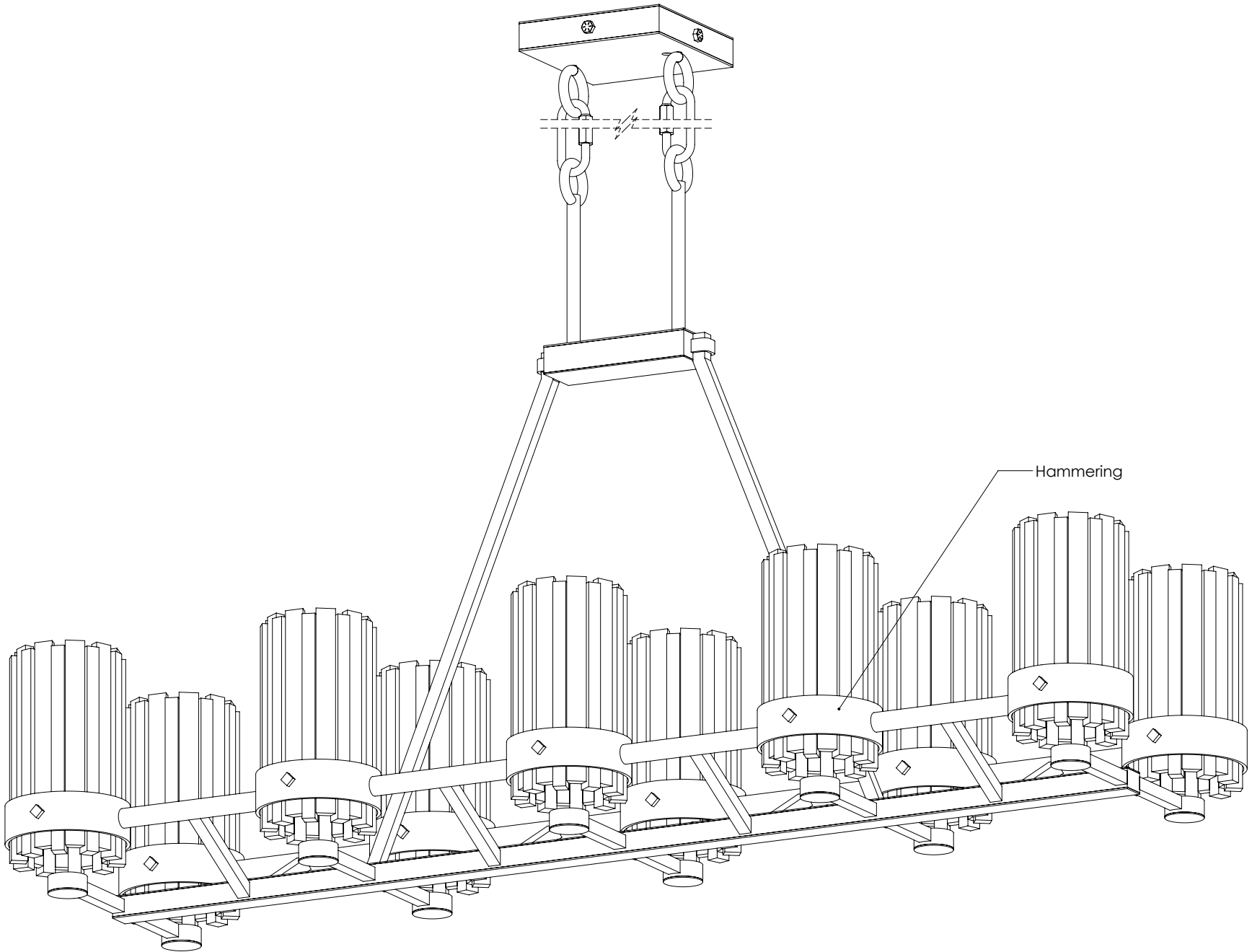
SIDE VIEW



BOTTOM VIEW



ISOMETRIC VIEW

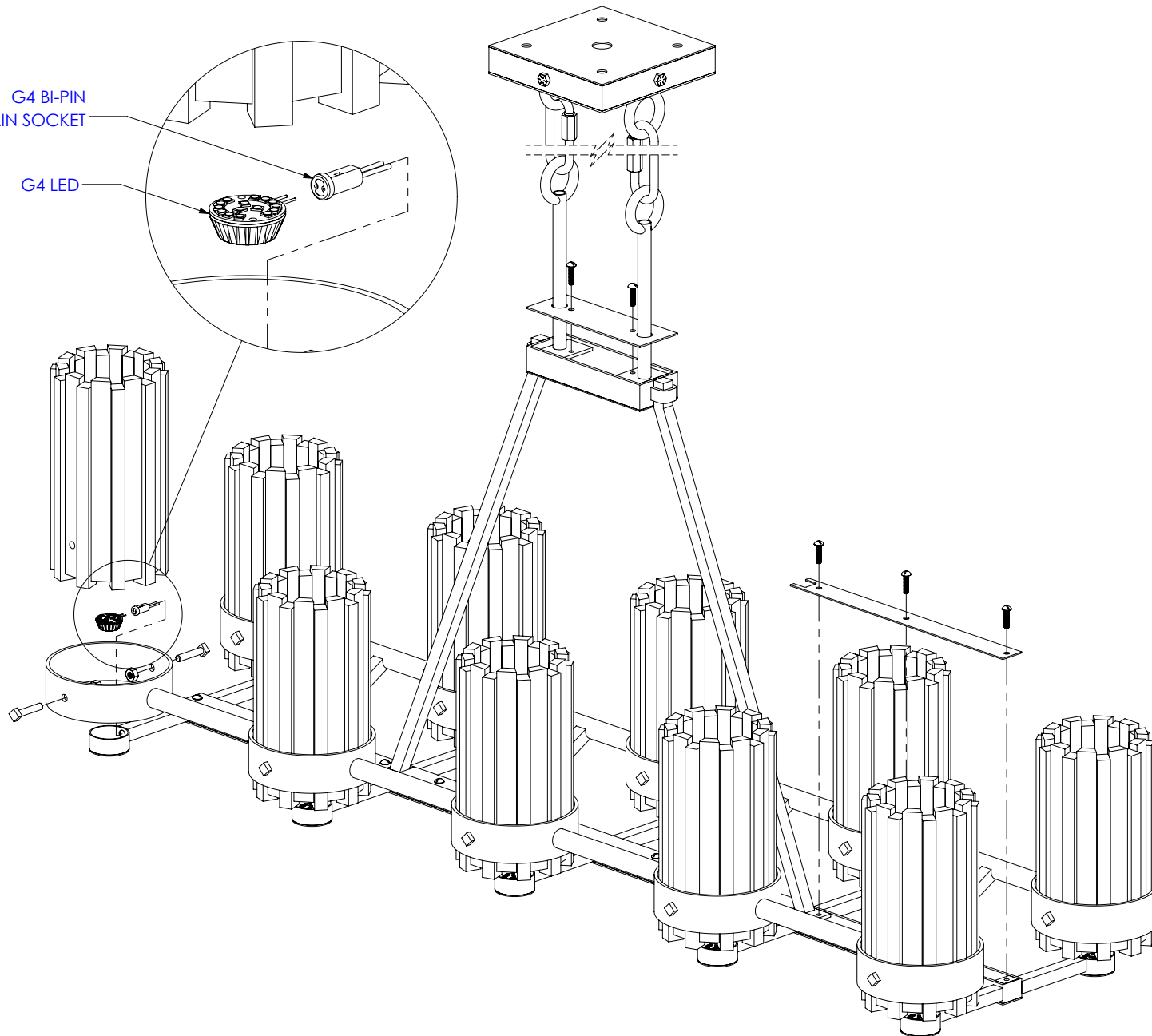


Magnus Rectangle CH A

EXPLODED VIEW

G4 BI-PIN
PORCELAIN SOCKET

G4 LED



Magnus Rectangle CH A